

WALL HUNG ELECTRIC

WATER HEATERS



Designed for quick delivery of lots of hot water to individual bathrooms and kitchens, easy and quick installation and of course with the well known durability and quality of State products.

FEATURES

Enhanced Glass Coating

- Proven US designed strong steel tank with the State manufactured special cobalt enhanced glass coating fused to the steel ensuring long lifetime and resistance to scale build up.

Factory Installed Brackets

- Factory installed brackets for wall mounted installation.



SEV-50, SEV-80, SEV-100
SEH-50, SEH-80, SEH-100



CFC Free Foam Insulation

- Thick injected CFC free foam insulation 22 mm thick along the sides, 40 mm on top of the heater, minimizing heat losses.

CE Standards

- The tanks are tested at 12 bar hydrostatic pressure to meet strict CE standards. This results in a rated working pressure of 8 bar. Models sold in Saudi comply to the SASO standard, so maximum rated working pressure is reduced to 6 bar.

Flange

- Flange: all major parts are mounted on a stainless steel flange allowing easy maintenance and cleaning of the tank if required. On the flange you will find:
 - An electric commercial grade incoloy heating element with a low watt density, making it very suitable for usage in hard water areas.
 - A manual high temperature safety thermostat cuts off power supply to the heating element in case of overheating.
 - A large magnesium replaceable anode.

Connections

- Stainless steel hot water outlet pipe and cold water inlet with diffuser.
- Water connections are ½ inch threaded BSP.

Accessories

- Accessories supplied with the water heaters:
 - Thermometer with a clear indication of water temperature.
 - Inlet mounted combined pressure relieve valve, non-return valve and drain valve for hose connection.
 - For SASO models only also a top mounted additional relieve valve is included.
 - Pilot light indicating operation of the heating element.

Available Voltage

- The water heater is suitable for operation on 220 to 240 Volt single phase power supply; on request a 110 Volt model can be supplied.

Five Year Limited Tank Warranty, Two Year Parts

- For complete information, consult written warranty or contact State Customer Care Center.

For more information on Wall Hung Electric Water Heaters, contact:

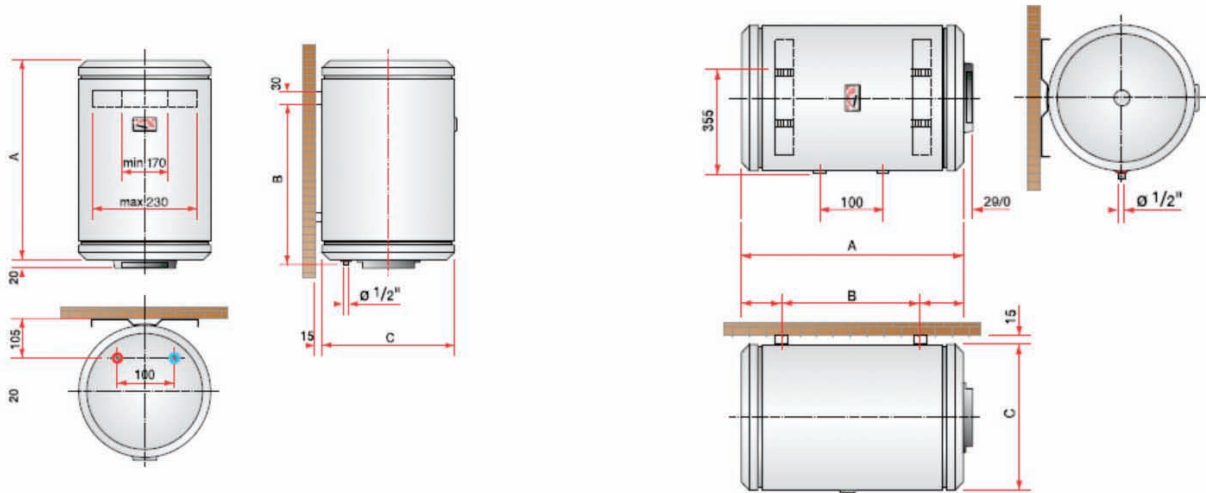
State Water Heaters
500 Tennessee Waltz Parkway
Ashland City, TN 37015
800-365-0024 Toll-free USA
www.statewaterheaters.com

SOLID.STATE.



RESIDENTIAL WALL HUNG ELECTRIC WATER HEATERS

VERTICAL MODELS	STORAGE LITERS	INPUT IN kW ON 230 VOLT, 1 PHASE POWER SUPPLY		DIMENSIONS IN MM			WEIGHT KG
		STANDARD	MAXIMUM	A	B	DIAMETER	
SEV 50	50	1.2	2.0	540	410	425	27
SEV 80	80	1.2	2.5	780	610	425	32
SEV 100	100	1.5	2.5	945	730	425	36
HORIZONTAL MODELS							
SEH 50	50	1.2	2.0	540	168	425	27
SEH 80	80	1.2	2.5	780	375	425	32
SEH 100	100	1.5	2.5	945	375	425	36



SAMPLE SPECIFICATIONS

The water heater shall be State model _____ electric wall hung water heater. The water heater shall be rated for ____ kW and 230 Volts, single phase 50/60 Hz AC power supply. The storage capacity shall be _____ Liter. The water heaters tank will have a test pressure of 12 bar and a rated maximum working pressure of 8 bar. The tank shall be from steel fused with glass manufactured by State especially for use with water heaters to form an un-detachable lining. A magnesium anode will be provided for further protection of the tank. Inlet will be of stainless steel and incorporate a diffuser to prevent mixing of incoming cold water with hot water in the tank. The outlet pipe will be of stainless steel and draw from the top of the tank. The controls will include control thermostat and high temperature cut-off thermostat. The heating element will be made of incoloy. The water heater shall be supplied with combined pressure safety valve, check valve and drain valve with hose connection.

For complete information on limited warranties, consult written warranty or contact the State Customer Care Center at 1-800-365-0024.

State Industries, Inc., reserves the right to make product changes or improvements without prior notice.

For more information on Wall Hung Electric Water Heaters, contact:

State Water Heaters
 500 Tennessee Waltz Parkway
 Ashland City, TN 37015
 800-365-0024 Toll-free USA
 www.statewaterheaters.com

SOLID.STATE.

